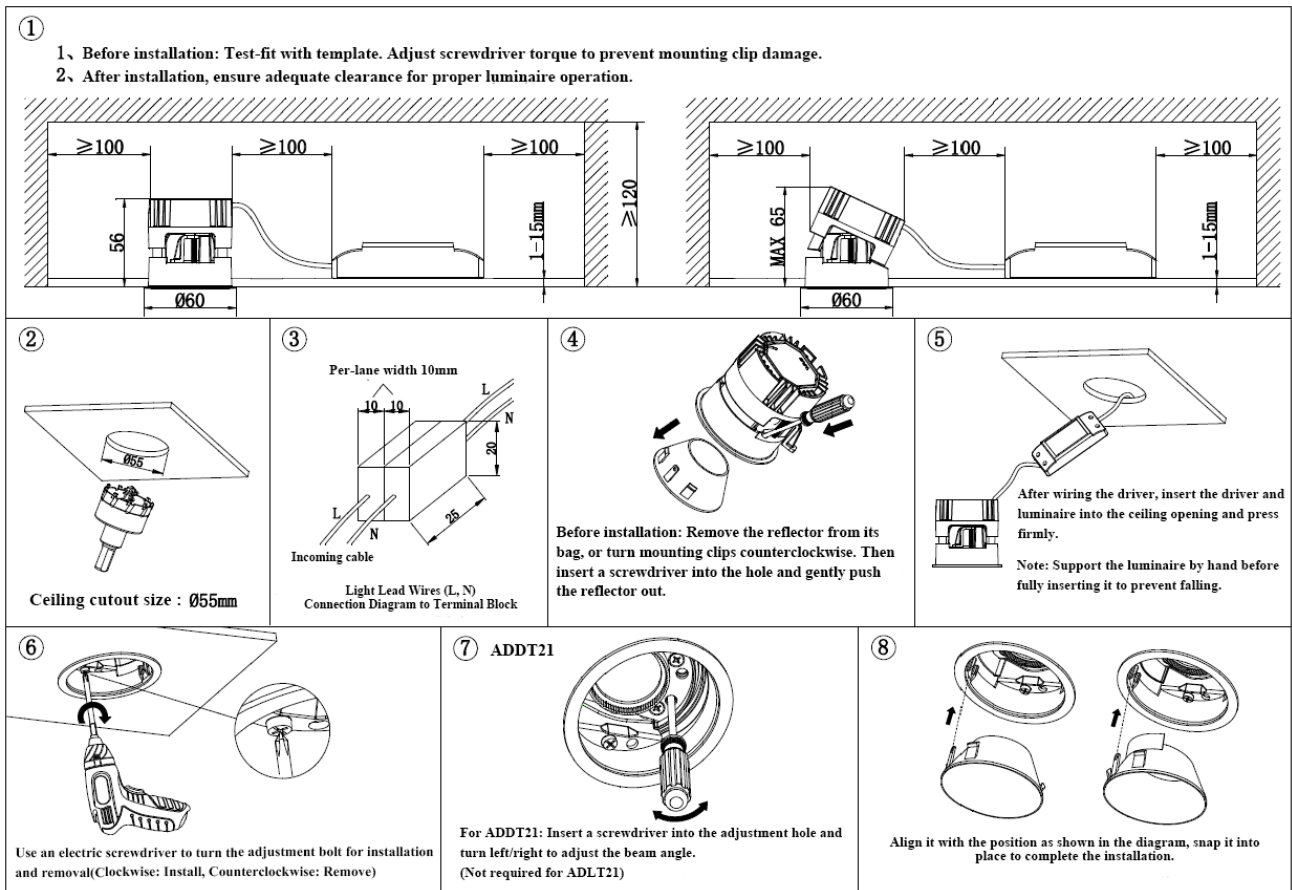


Installation Declaration:

1. Please read the manual carefully before installation;
2. Please have a professional electrician perform the installation;
3. To avoid the risk of electric shock, please ensure the power is turned off before installation and maintenance;
4. The fixture can be recessed into the ceiling surface, and sufficient installation space must be reserved. Do not cover the fixture with insulation materials or flammable substances to avoid fire hazards;
5. If the glass is cracked, please replace it immediately;
6. Do not install the fixture on an unstable or weak skylight to prevent it from falling;
7. Keep the manual for future reference;
8. The light source inside this fixture should be replaced by the manufacturer, its service agent, or a person with similar qualifications.

Wiring for fixture installation:



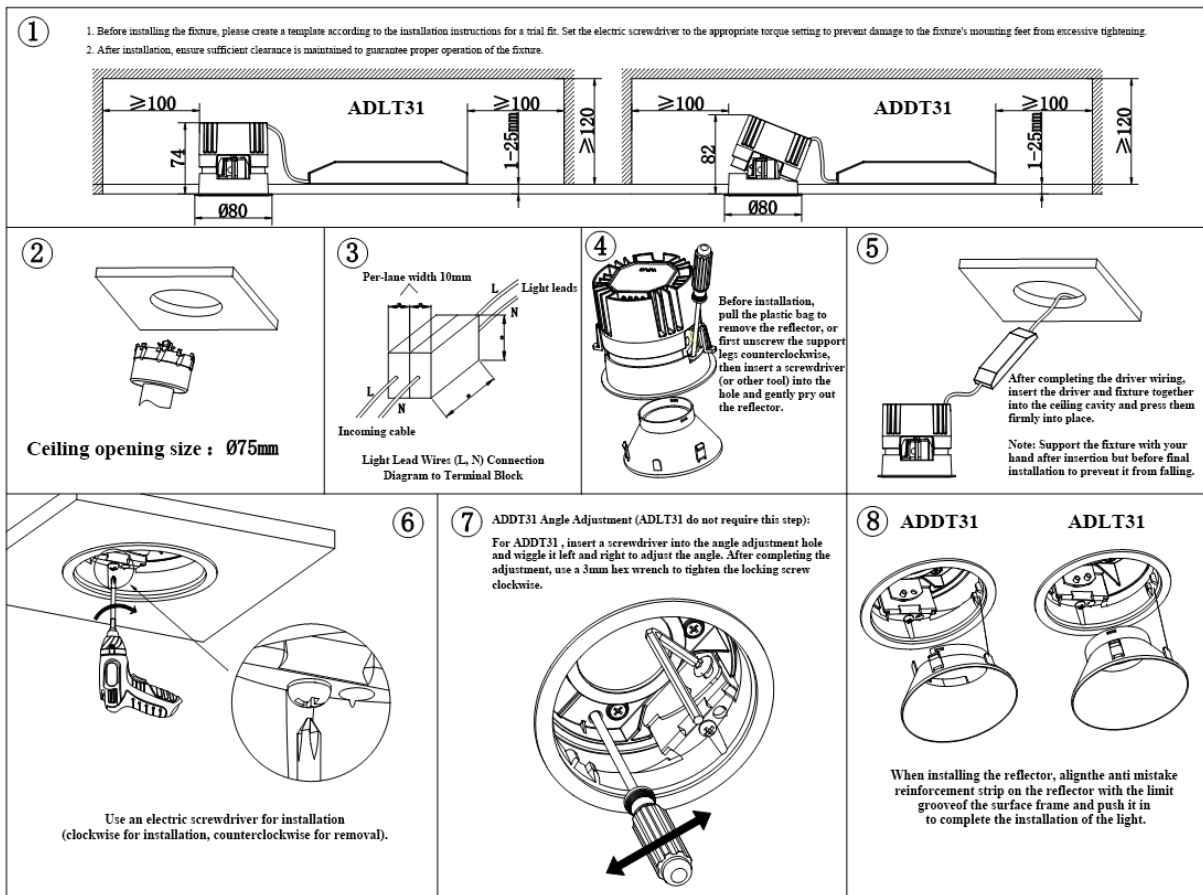
- * If the light electrical appliance comes with a built-in lead, and this connecting lead needs to be connected to an independent terminal block (refer to Figure 3 for the wiring diagram), each terminal block should not be smaller than 10x20x25mm.
- * For light without electrical appliances, if the light has red and black leads, it cannot be directly connected to 220V AC. The customer must provide their own electrical appliance, which needs to be compatible with the light source.

Authorized by the trademark holder "WAC", WAC Lighting Company, USA
 China Marketing Headquarters: Hua Ge Lighting Technology (Shanghai) Co., Ltd.
 Address: 14 Lane 299, Bisheng Road, China (Shanghai) Pilot Free Trade Zone (Postal Code: 201204)
 China Factory : Produced by Dongguan Huaming Lighting Co., Ltd.
 Address: 1 Qingfeng Road, Qingxi Town, Dongguan City, Guangdong Province, No. 390 (Postal Code: 523653)

Installation Declaration:

1. Please read the manual carefully before installation;
2. Please have a professional electrician perform the installation;
3. To avoid the risk of electric shock, please ensure the power is turned off before installation and maintenance;
4. The fixture can be recessed into the ceiling surface, and sufficient installation space must be reserved. Do not cover the fixture with insulation materials or flammable substances to avoid fire hazards;
5. If the glass is cracked, please replace it immediately;
6. Do not install the fixture on an unstable or weak skylight to prevent it from falling;
7. Keep the manual for future reference;
8. The light source inside this fixture should be replaced by the manufacturer, its service agent, or a person with similar qualifications.

Wiring for fixture installation:



- * If the light electrical appliance comes with a built-in lead, and this connecting lead needs to be connected to an independent terminal block (refer to Figure 3 for the wiring diagram), each terminal block should not be smaller than 10x20x25mm.
- * For light without electrical appliances, if the light has red and black leads, it cannot be directly connected to 220V AC. The customer must provide their own electrical appliance, which needs to be compatible with the light source.

Authorized by the trademark holder "WAC", WAC Lighting Company, USA
 China Marketing Headquarters: Hua Ge Lighting Technology (Shanghai) Co., Ltd.
 Address: 14 Lane 299, Bisheng Road, China (Shanghai) Pilot Free Trade Zone (Postal Code: 201204)
 China Factory : Produced by Dongguan Huaming Lighting Co., Ltd.
 Address: 1 Qingfeng Road, Qingxi Town, Dongguan City, Guangdong Province, No. 390 (Postal Code: 523653)